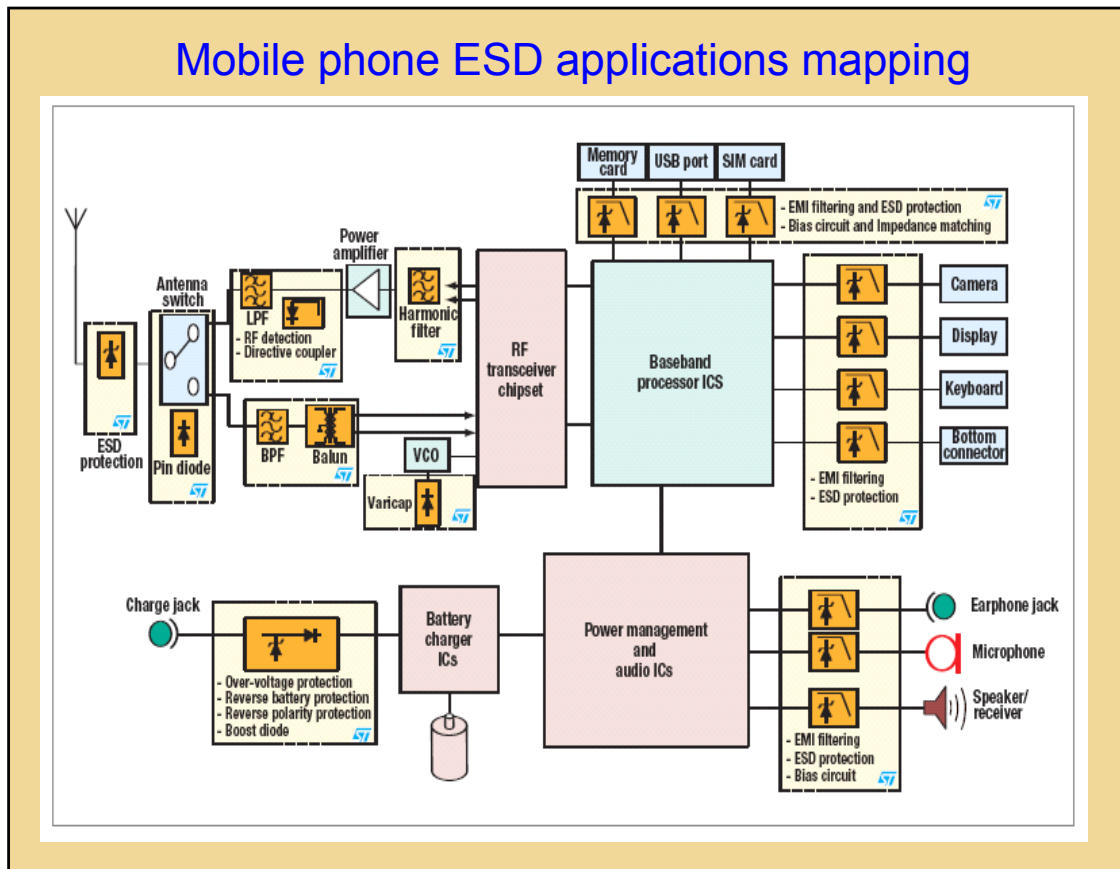


ICs for ESD and EMI Protection

Markets and Trends

Protection Market Segment Example: Mobile Devices

Mobile phone ESD applications mapping



Prepared for

Company XY