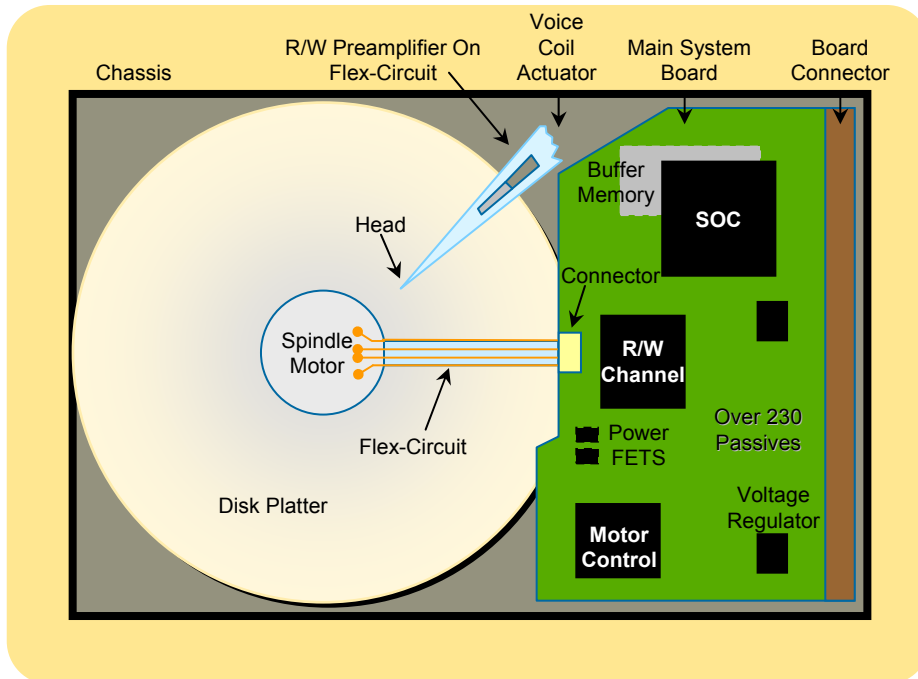


Mixed-Signal Technology

Trends and Opportunities

Semiconductor Competitive Analysis

Hard Disk Drive Case Study



Prepared for
XXXX

September 2003